

### SINK SPECIFICATIONS

Model 1512UM18

#### FEATURES:

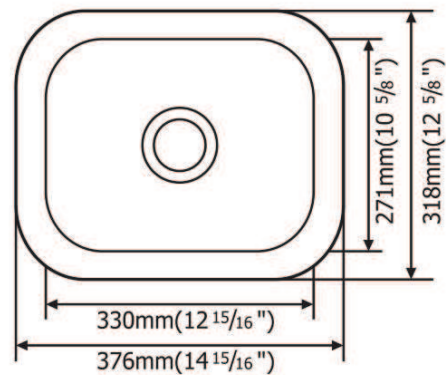
- \* 18 gauge
- \* Rear Drain Placement
- \* Design allows for easy installation in standard 25" countertop
- \* Sound deadening insulation and pads



#### NOMINAL DIMENSIONS

Model 1512UM18 shown

OVERALL	BOWL DEPTH	DRAIN
14-15/16"x 12-5/8"	9"	3-3-1/2"



#### OPTIONAL ACCESSORIES

Stainless Steel Sink Grids: 1512GRID